

CAMON

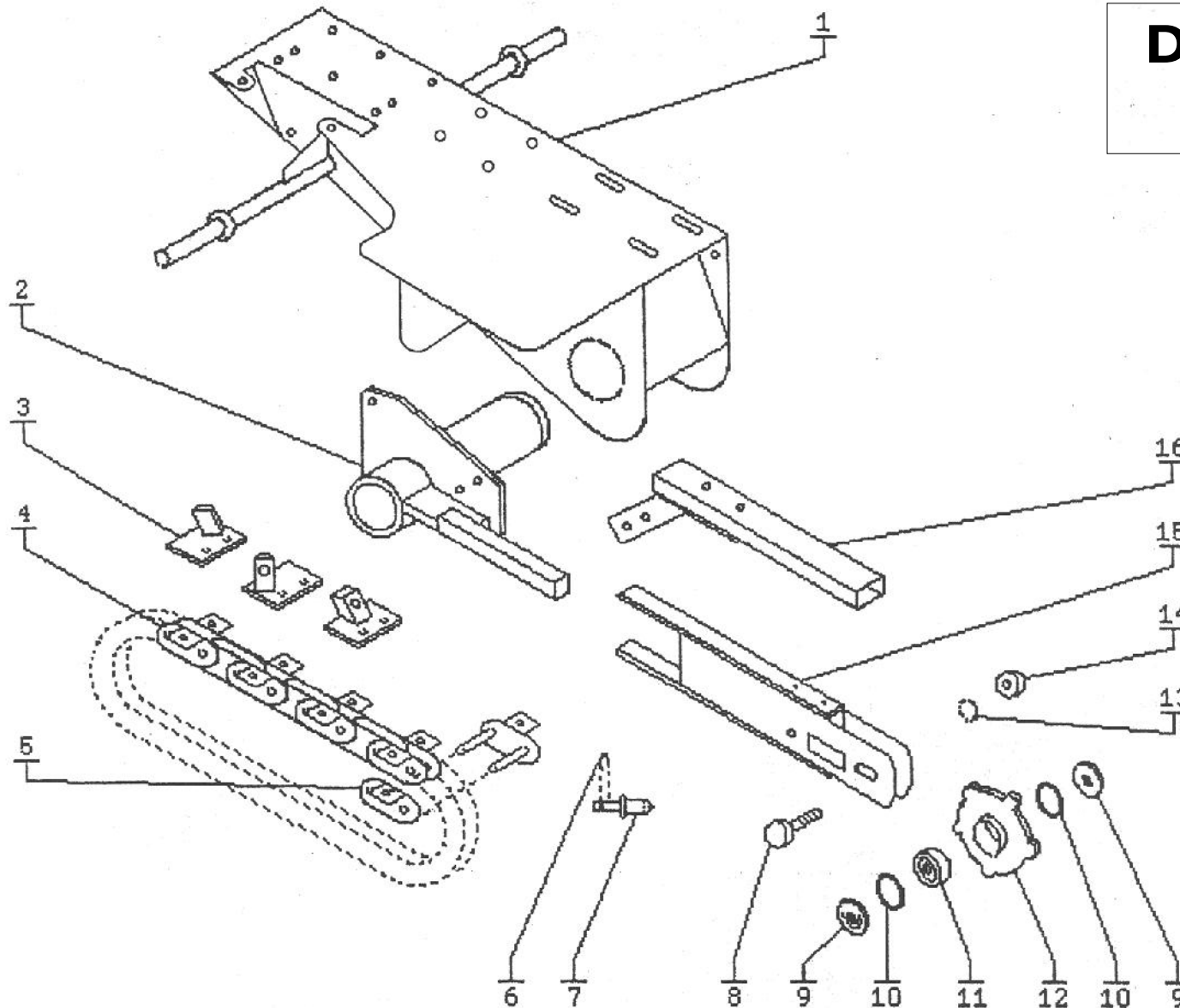
TRENCHER MODEL TR12

PARTS DIAGRAMS



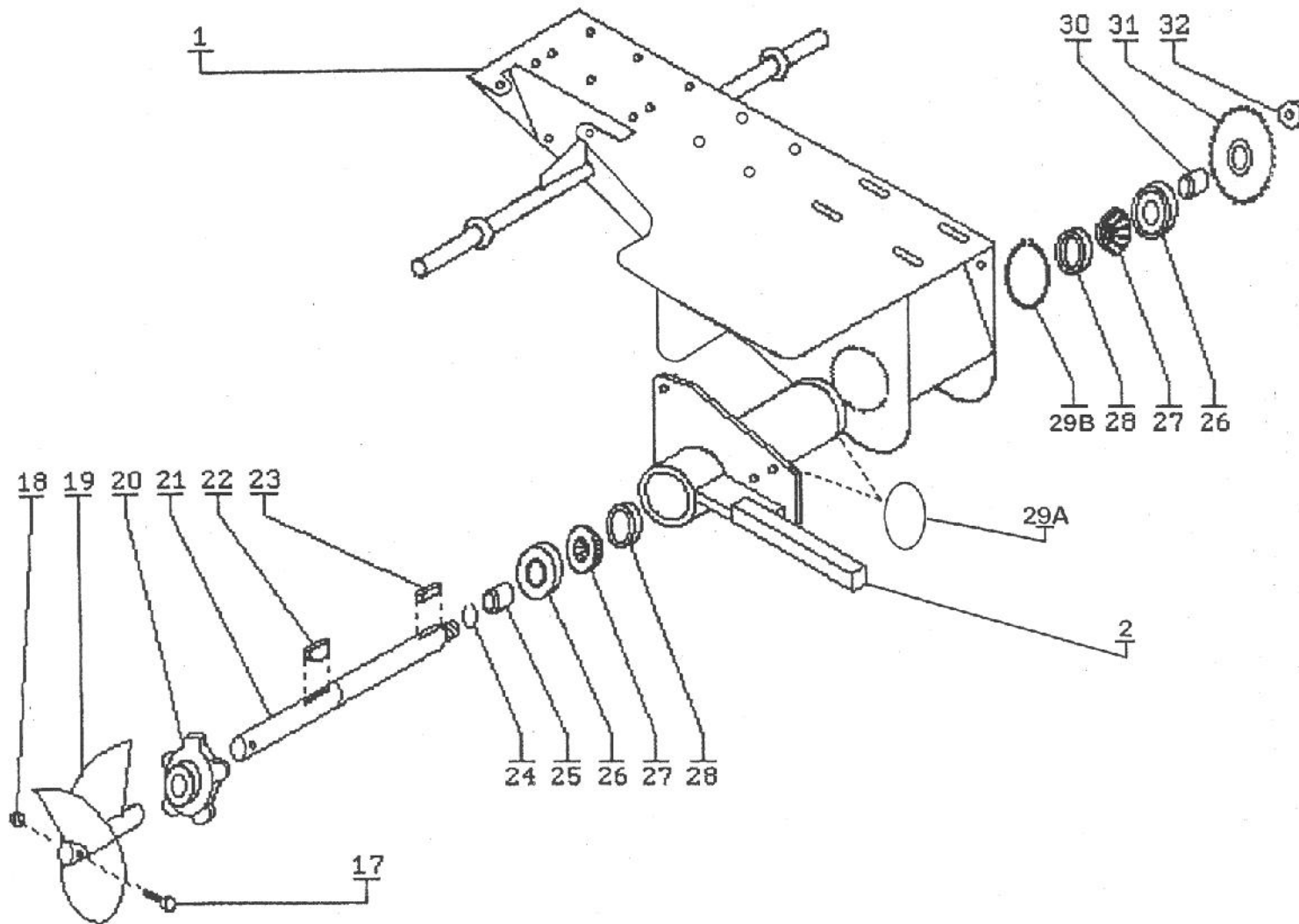
CAMON TR12 TRENCHER

Digging Bar & Chain



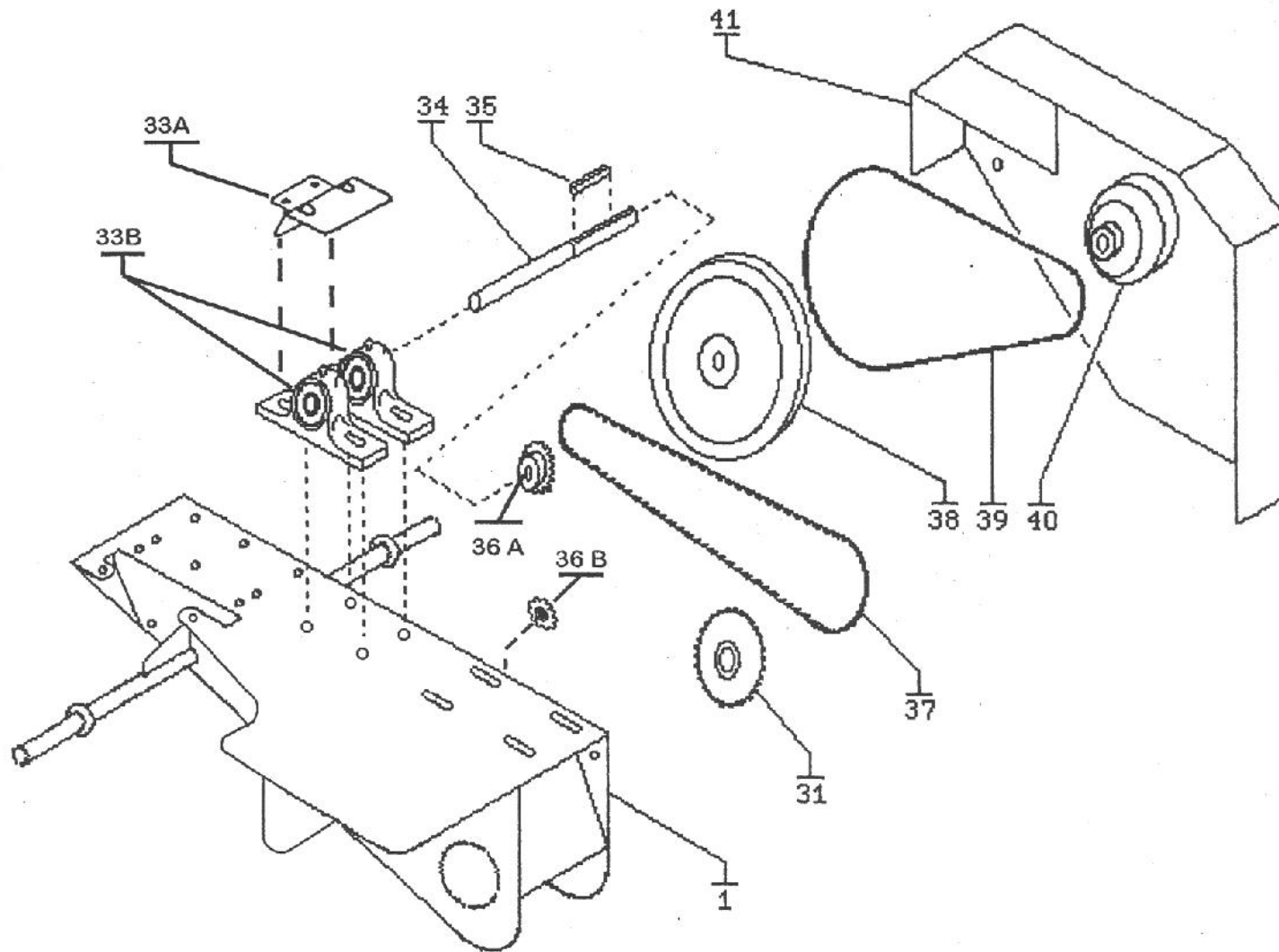
CAMON TR12 TRENCHER

**Main
Shaft**



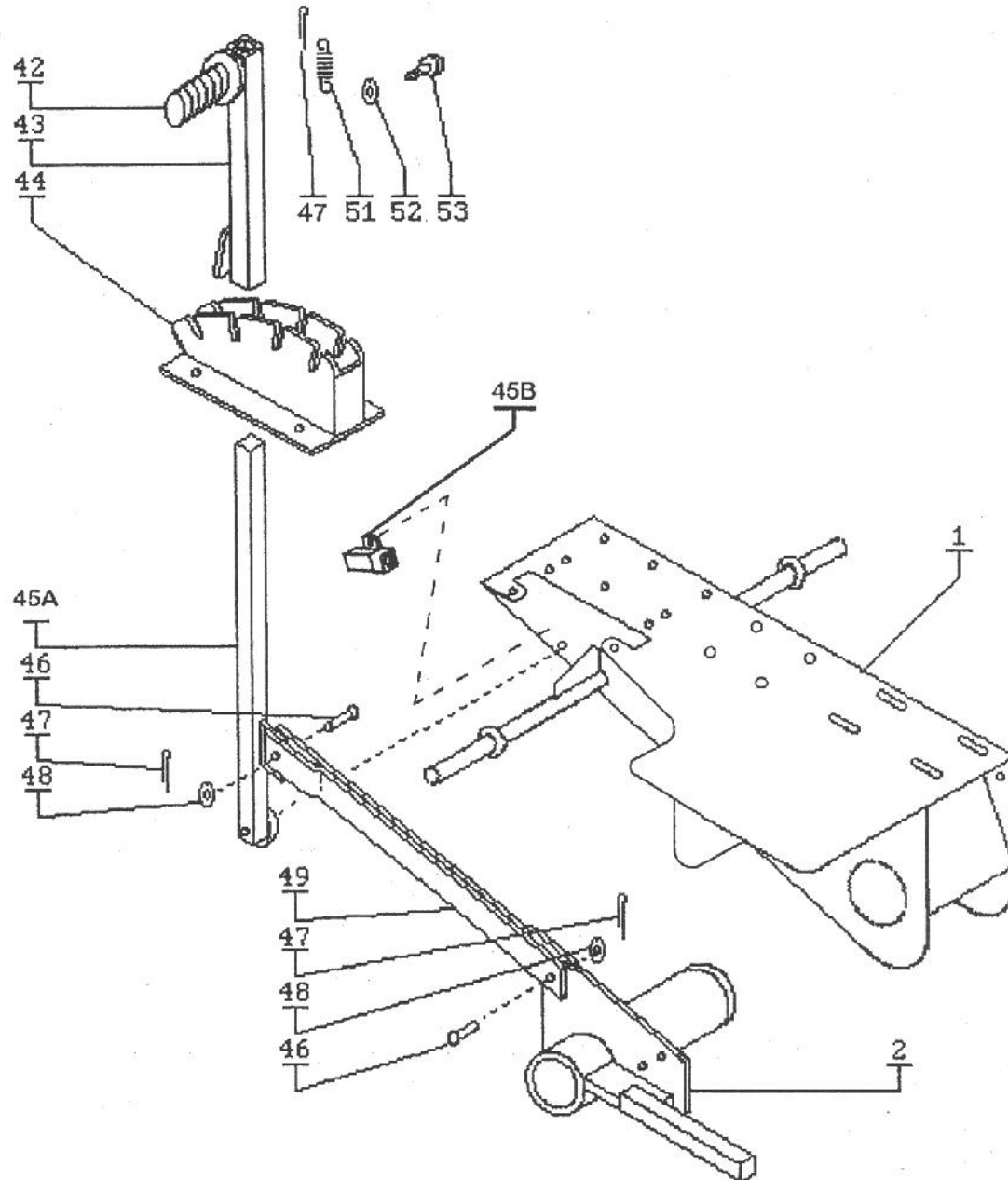
CAMON TR12 TRENCHER

Power Transmission

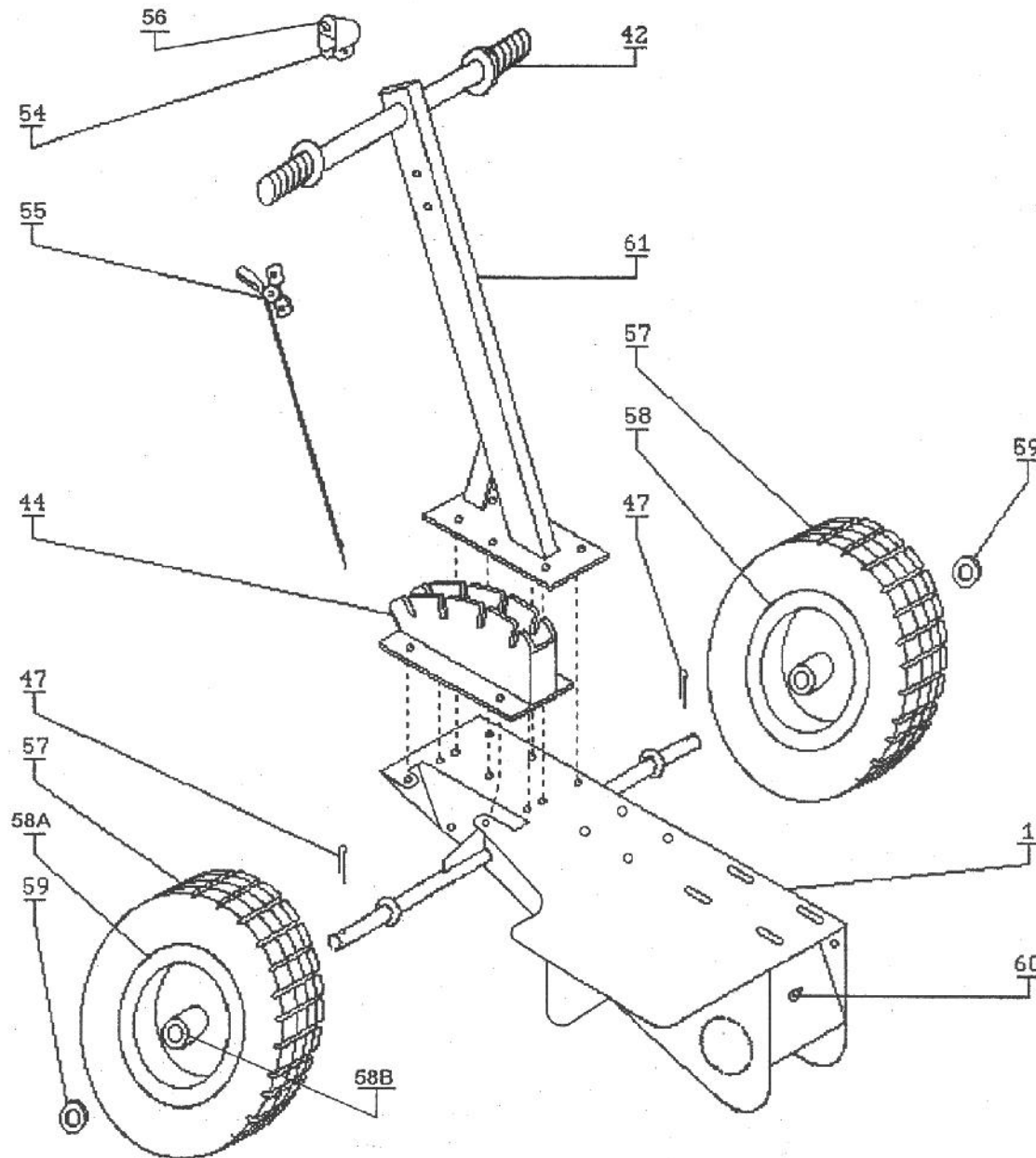


CAMON TR12 TRENCHER

**Depth
Control**



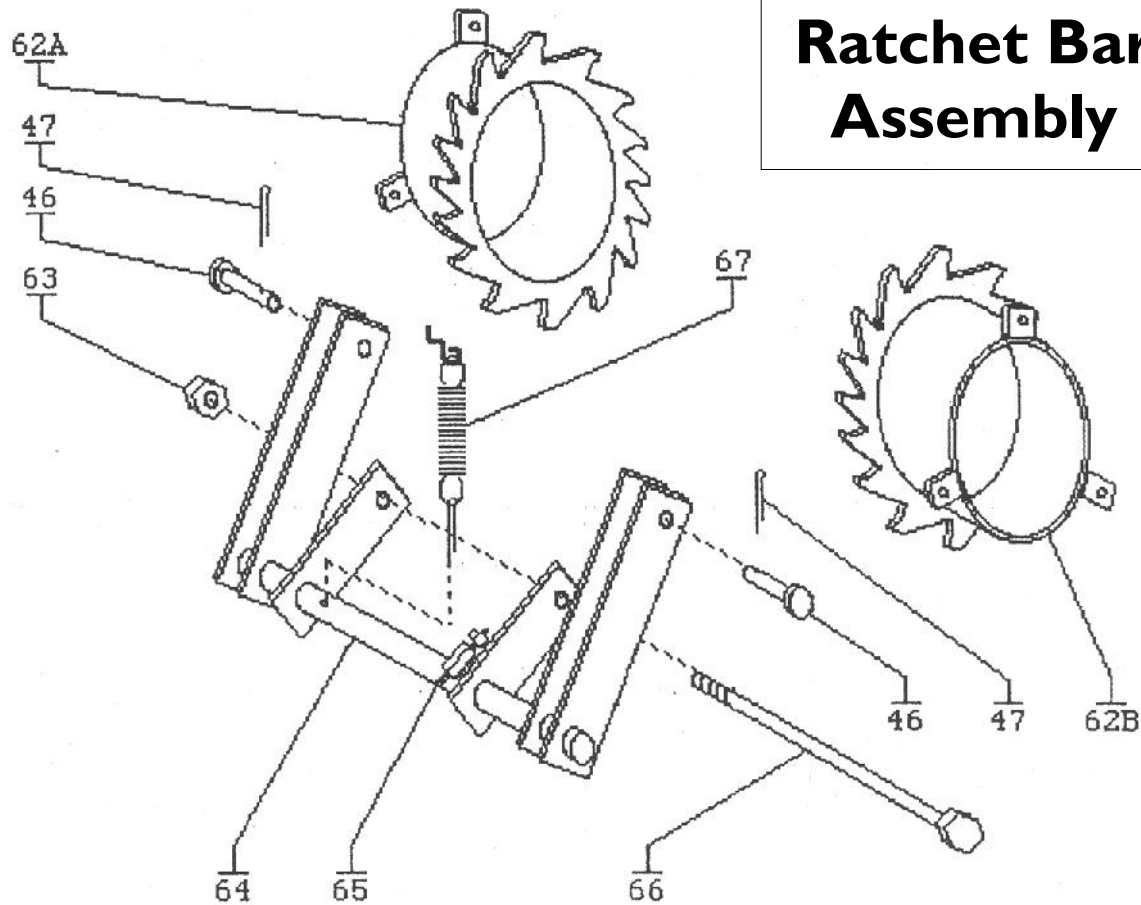
CAMON TR12 TRENCHER



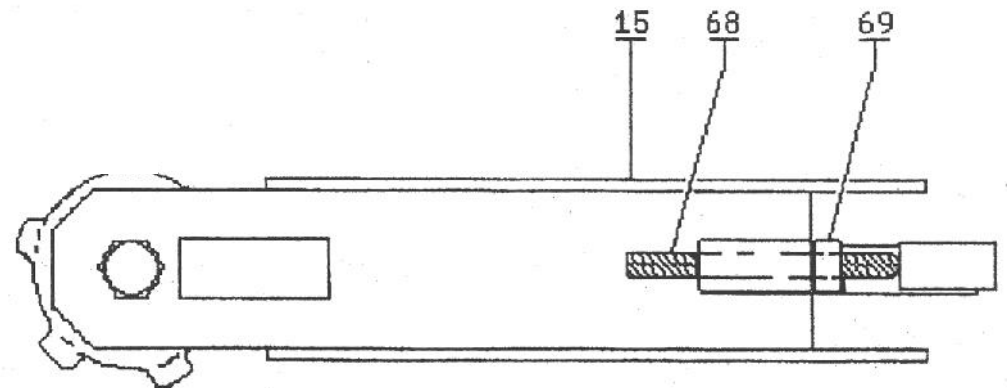
**Main
Body**

CAMON TR12 TRENCHER

Ratchet Bar Assembly



Digging Bar Adjustment



| <u>Diag No</u> | <u>Part No</u> | <u>Description</u> | <u>Diag No</u> | <u>Part No</u> | <u>Description</u> |
|----------------|----------------|-------------------------------|----------------|----------------|-----------------------------------|
| 1 | 4100 | Trencher Body | 36A | 4325 | Primary Sprocket |
| 2 | 4230 | Trunion | 36B | 4355 | Idler Sprocket |
| 3 | 4171 | Left Bit Holder | 37 | 4330 | Primary Chain |
| | 4170 | Right Bit Holder | 38 | 4335 | Sheave |
| | 4172 | Centre Bit Holder | 39 | 4340 | Drive Belt |
| 4 | 4130 | Digging Chain | 40 | 900 | Centrifugal Clutch |
| 5 | 4130-1 | Digging Chain Master Link | 41 | 4350 | Belt Guard |
| 6 | 4176 | Bit Retaining Clip | 42 | 6100 | Handlebar Grip |
| 7 | 4175 | Carbide Tipped Bit | 43 | 4400 | Depth Control Handle |
| 8 | 1704 | Driven Sprocket Axle | 44 | 4405 | Depth Locator |
| 9 | 4167 | Grit Washer (Driven Sprocket) | 45A | 4410 | Depth Control Lever |
| 10 | 4166 | Spiral Ring | 45B | CE001 | Plunger Switch |
| 11 | 4156 | Driven Sprocket Bearing | 46 | 1514 | Clevis Pin |
| 12 | 4161 | Driven Sprocket | 47 | 4420 | Cotter Pin |
| | 4161-A | Driven Sprocket Assembly | 48 | 1503 | Washer |
| 13 | 1710 | Lock Washer | 49 | 4425 | Connecting Rod |
| 14 | 1706 | Driven Sprocket Axle Nut | 50 | 4420 | Cotter Pin |
| 15 | 4140 | Digging Boom | 51 | 4435 | Depth Control Spring |
| 16 | 4700 | Digging Chain Guard | 52 | 4430 | Lower Spring Washer |
| 17 | 1510 | Auger Retaining Bolt | 53 | 4431 | Depth Control Handle Stop (Bolt) |
| 18 | 1518 | NC Self Locking Nut | 54 | 4SS6 | Switch Mount |
| 19 | 4200 | Side Delivery Auger | 55 | 5551 | Throttle Assembly |
| 20 | 4205 | Digging Chain Drive Sprocket | 56 | 90ZK | Switch w/Mount |
| 21 | 4210 | Main Shaft | 57 | 4531 | Tyre |
| 22 | 21 | Woodruff Key | 58A | 4532 | Rim |
| 23 | 22 | Square Key | 58B | 4530-1 | Bushing (2 per rim) |
| 24 | 4215 | Main Shaft Snap Ring | | 4530 | Tyre & Rim Assembly |
| 25 | 4220 | Wide Main Shaft Spacer | 59 | 1700 | Axle Washer |
| 26 | 4225 | Grit Seal (3 required) | 60 | 4103 | Zek Fitting |
| 27 | 08125 | Timken Cone (Bearing) | 61 | 4510 | Handlebar |
| 28 | 08231 | Timken Cup | 62A | 4601L | Left Wheel Ratchet |
| 29A | 4232 | Trunion "O" Ring (2 required) | 62B | 4601R | Right Wheel Ratchet |
| 29B | 4235 | Trunion Tube Snap Ring | 63 | 1518 | Nylock Nut |
| 30 | 4221 | Narrow Main Shaft Spacer | 64 | 4602 | Ratchet Bar |
| 31 | 4240 | Main Shaft Drive Sprocket | 65 | 4604 | Ratchet Bar Adjustment Nut & Bolt |
| 32 | 1750 | Main Shaft Nut | 66 | 1525 | Bolt |
| 33a | 4316 | Pillow Block Cover | 67 | 4603 | Ratchet Bar Tension Spring 733 |
| 33b | 4305 | Pillow Block | 68 | 4142 | Digging Bar Adjustment Bolt |
| 34 | 4315 | Mandrel Shaft | 69 | 4141 | Digging Bar Lock Nut |
| 35 | 23 | Square Key | | | |