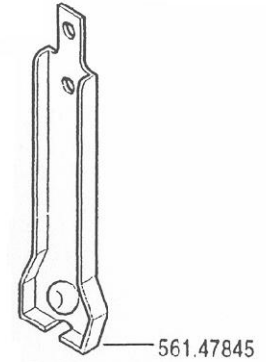
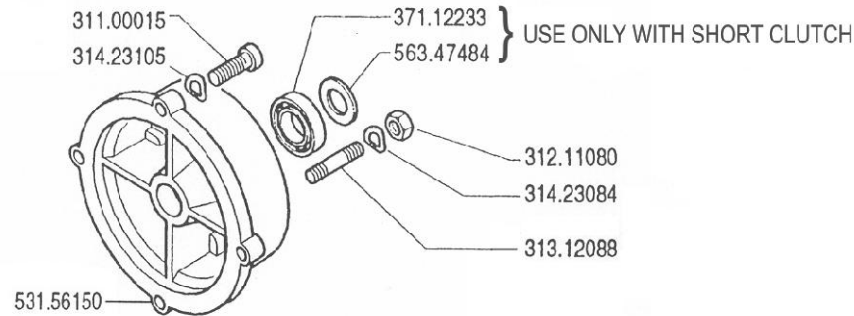


C10 ROTAVATOR

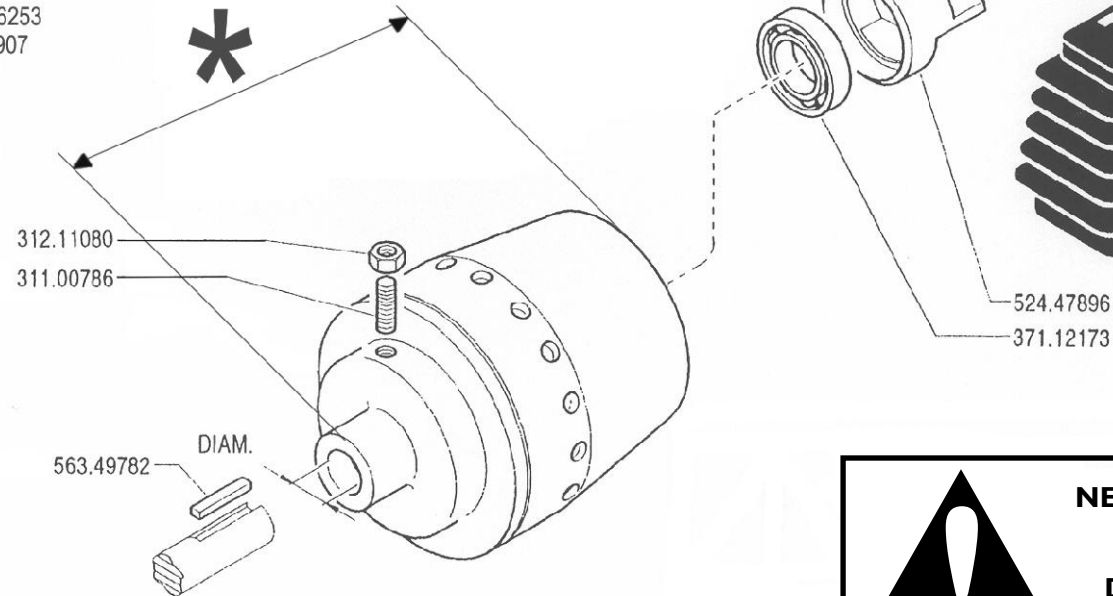
PARTS DIAGRAMS



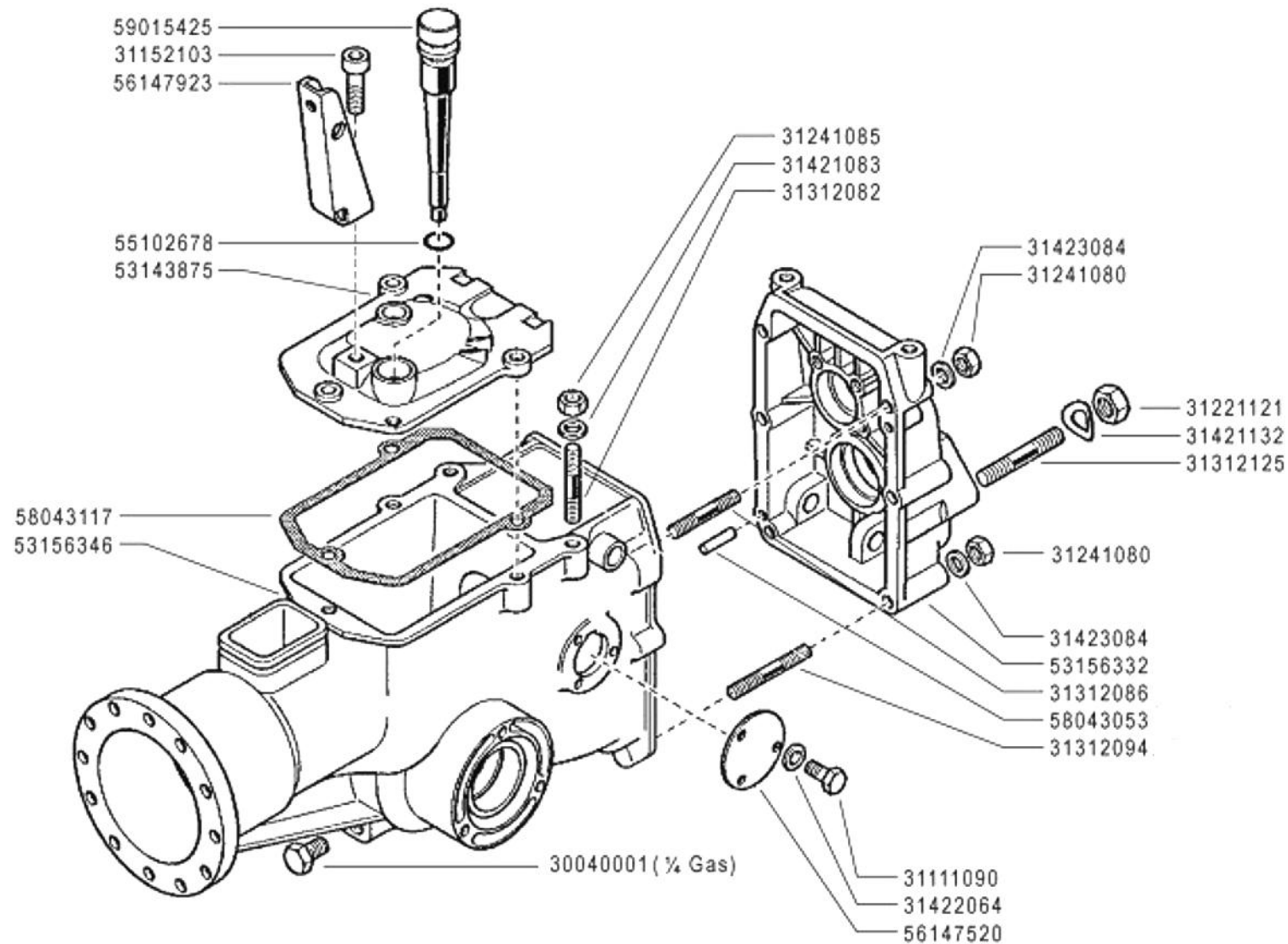
CAMON C10 ROTAVATOR



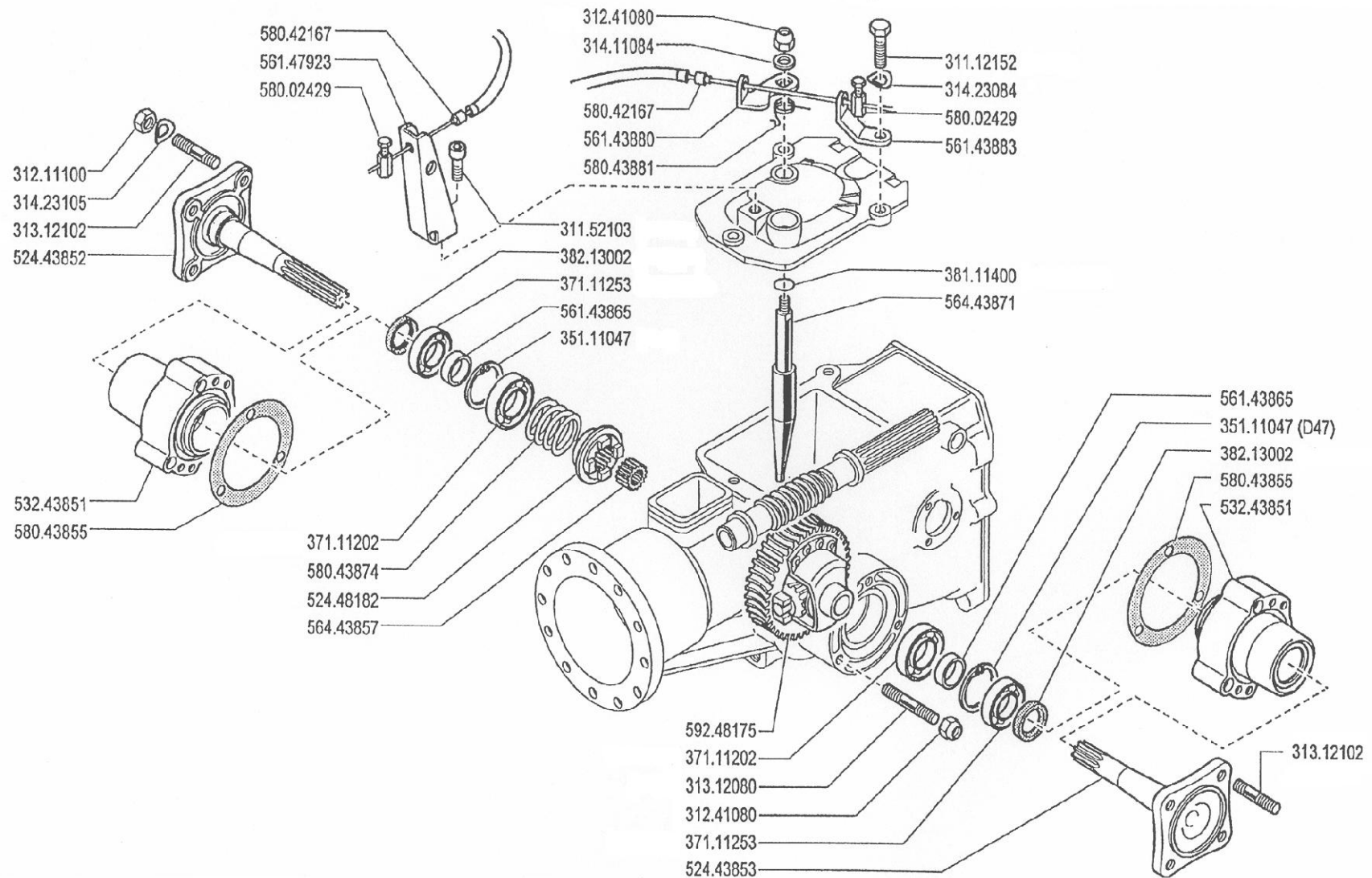
- * GX240 - SHORT CLUTCH (110mm) - 592.56253
- * GX240 - LONG CLUTCH (127mm) - 592.47907
- * YANMAR CLUTCH - 592.47971



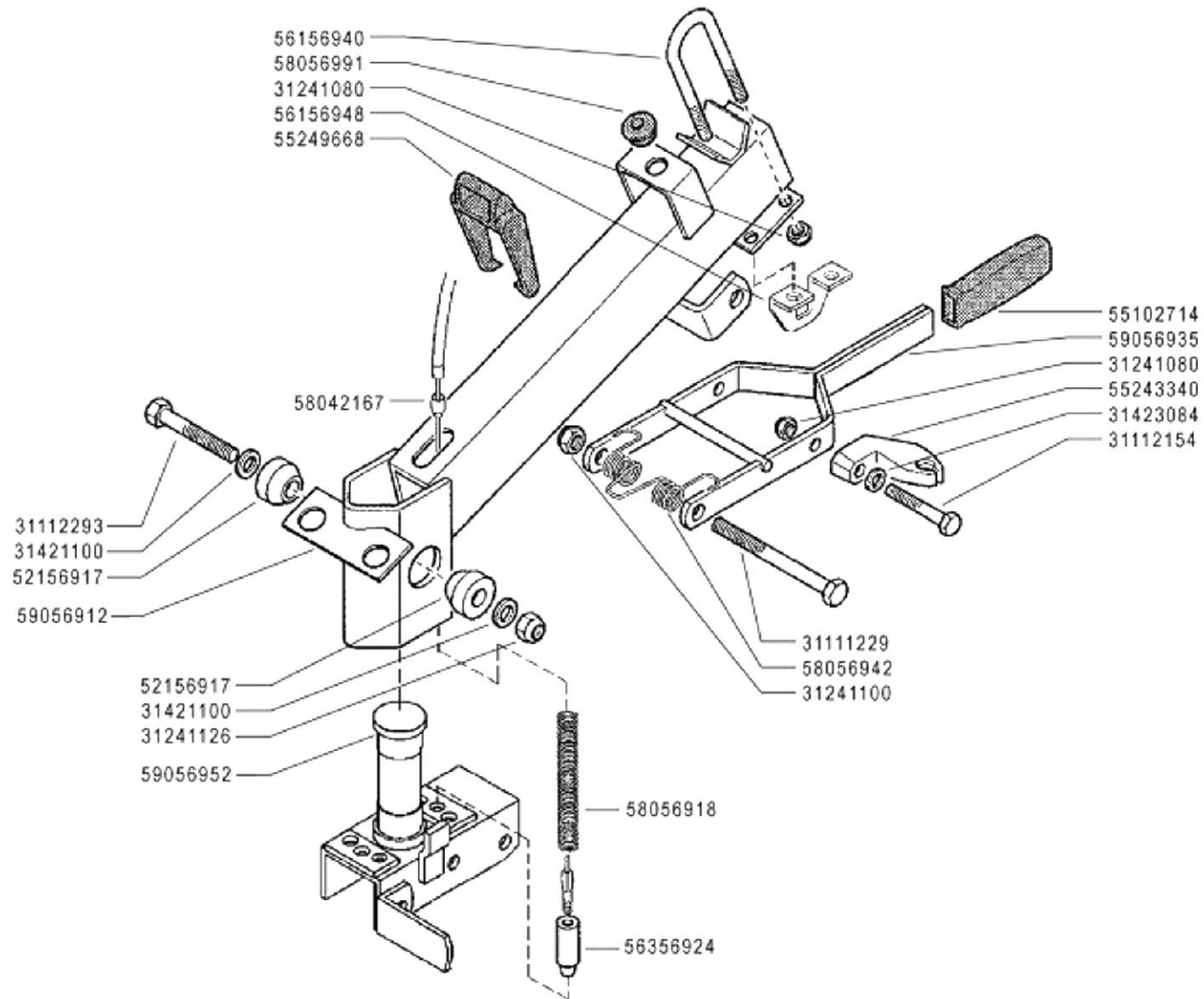
CAMON C10 ROTAVATOR



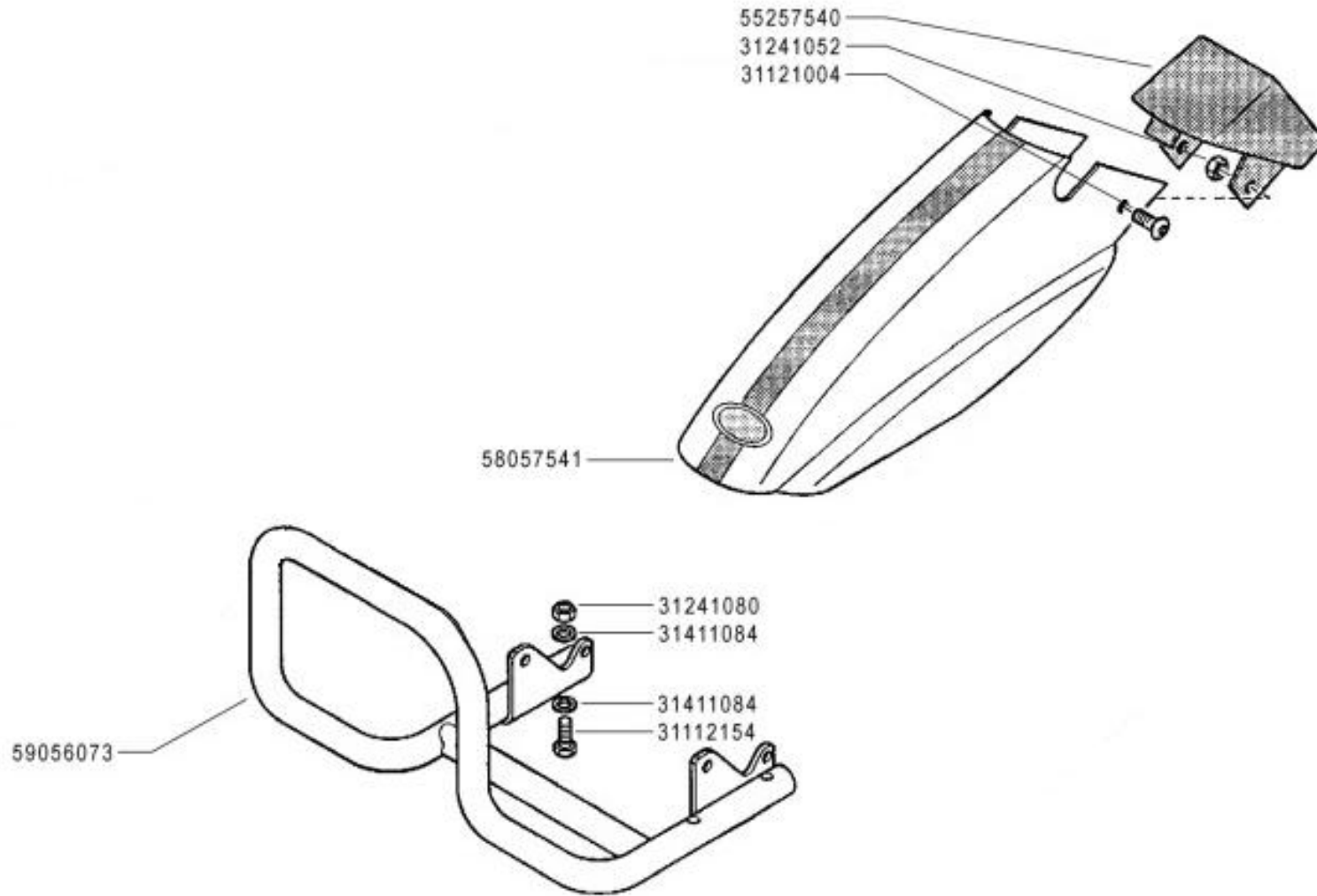
CAMON C10 ROTAVATOR



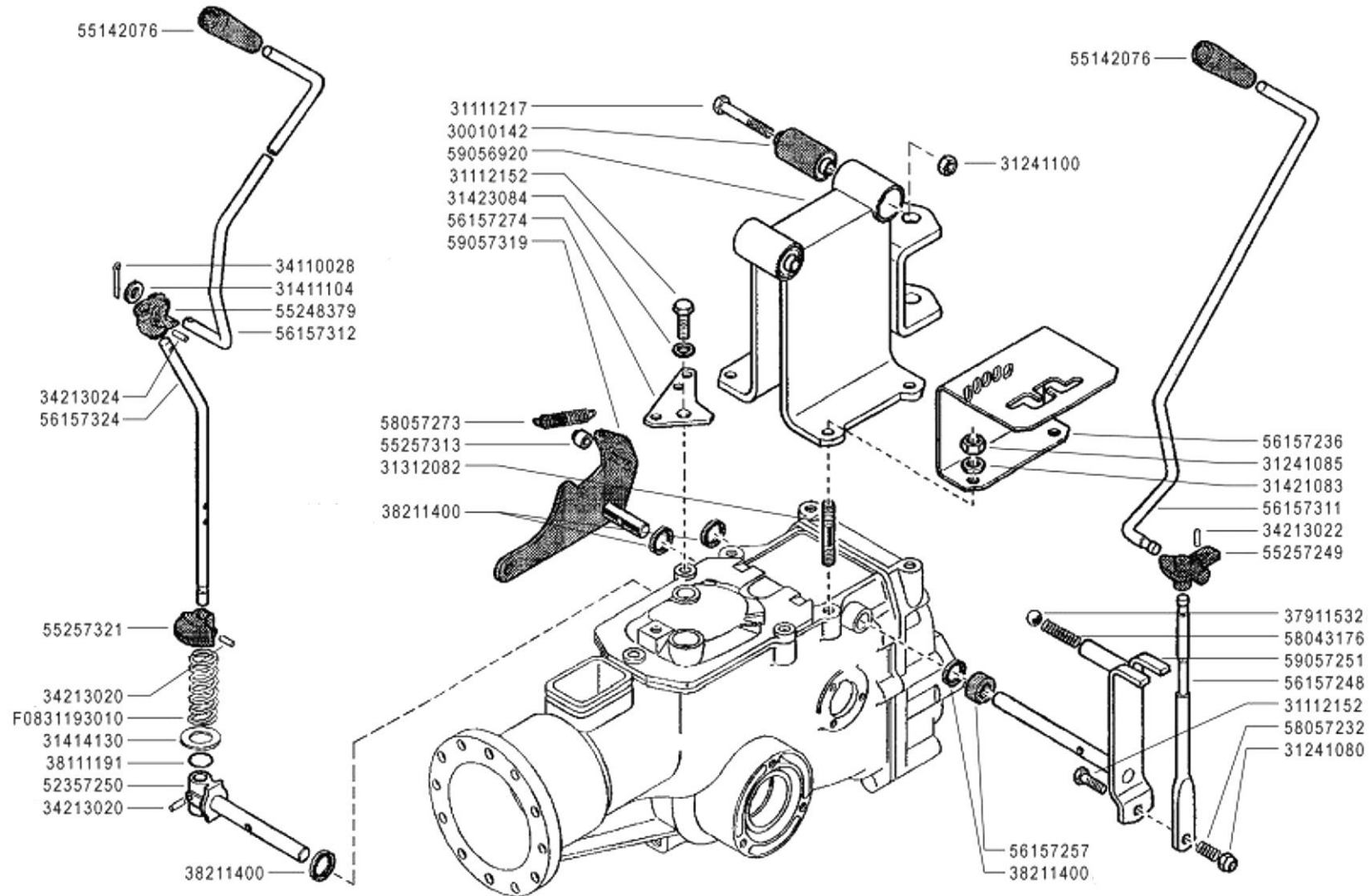
CAMON C10 ROTAVATOR



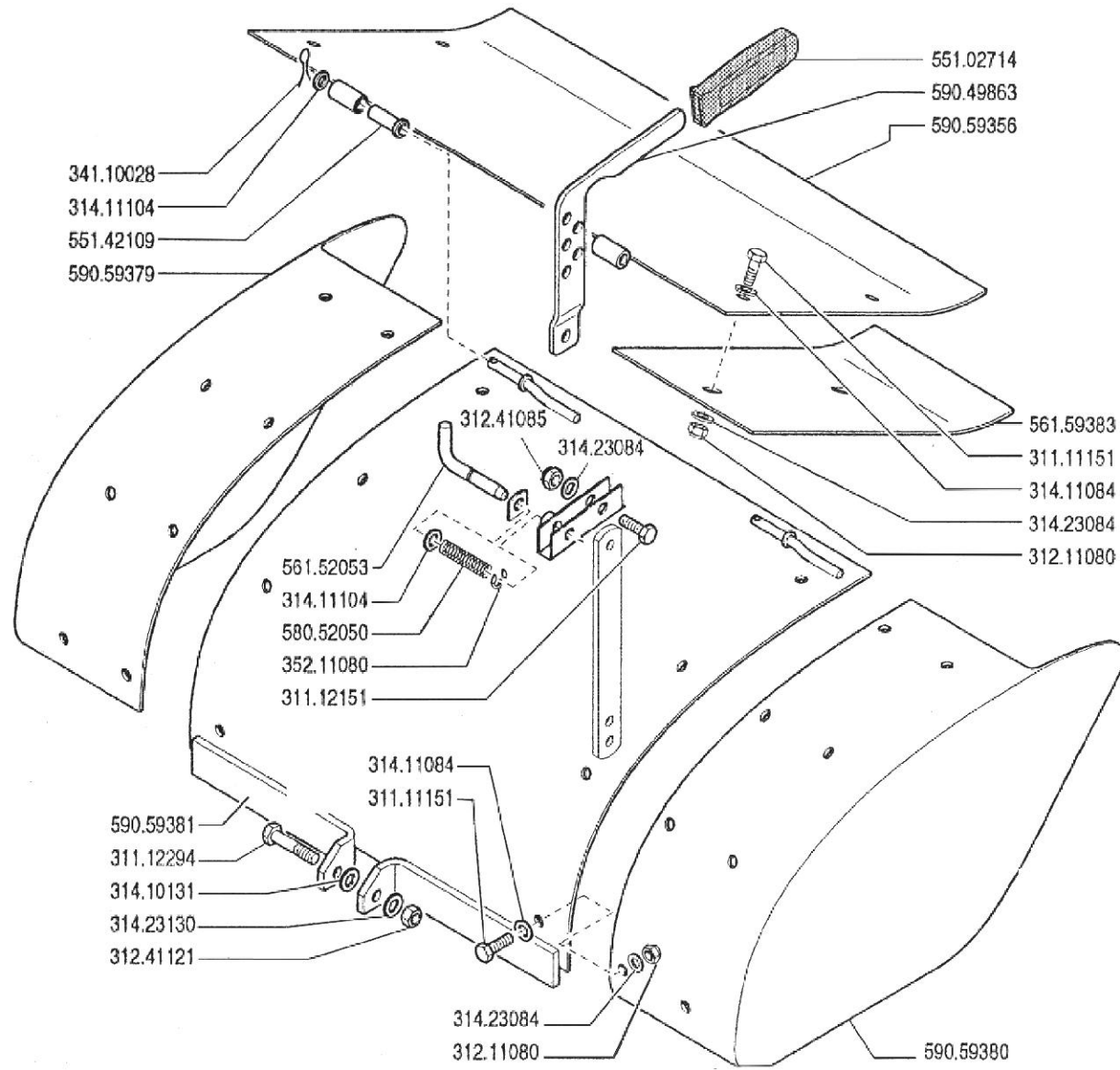
CAMON C10 ROTAVATOR



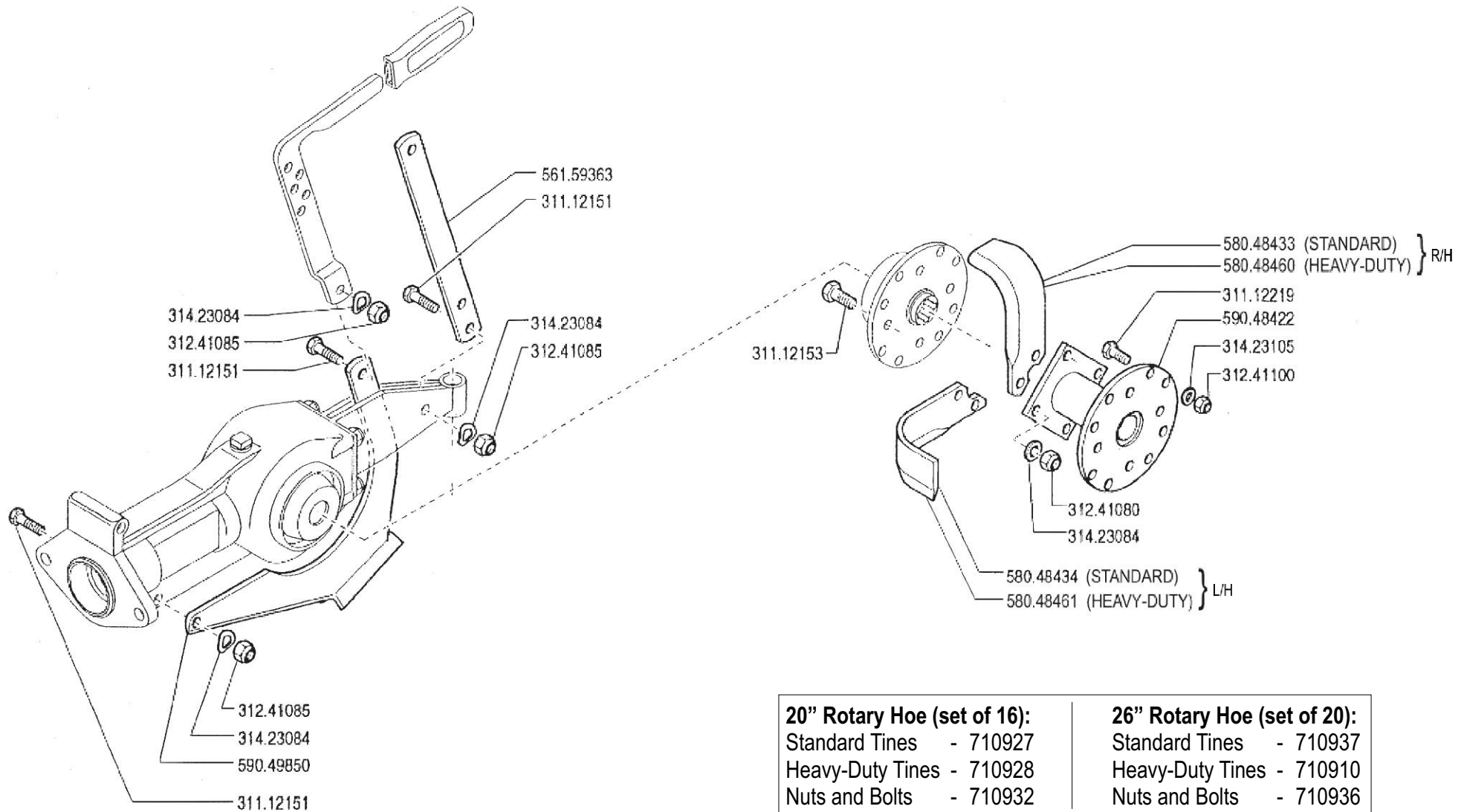
CAMON C10 ROTAVATOR



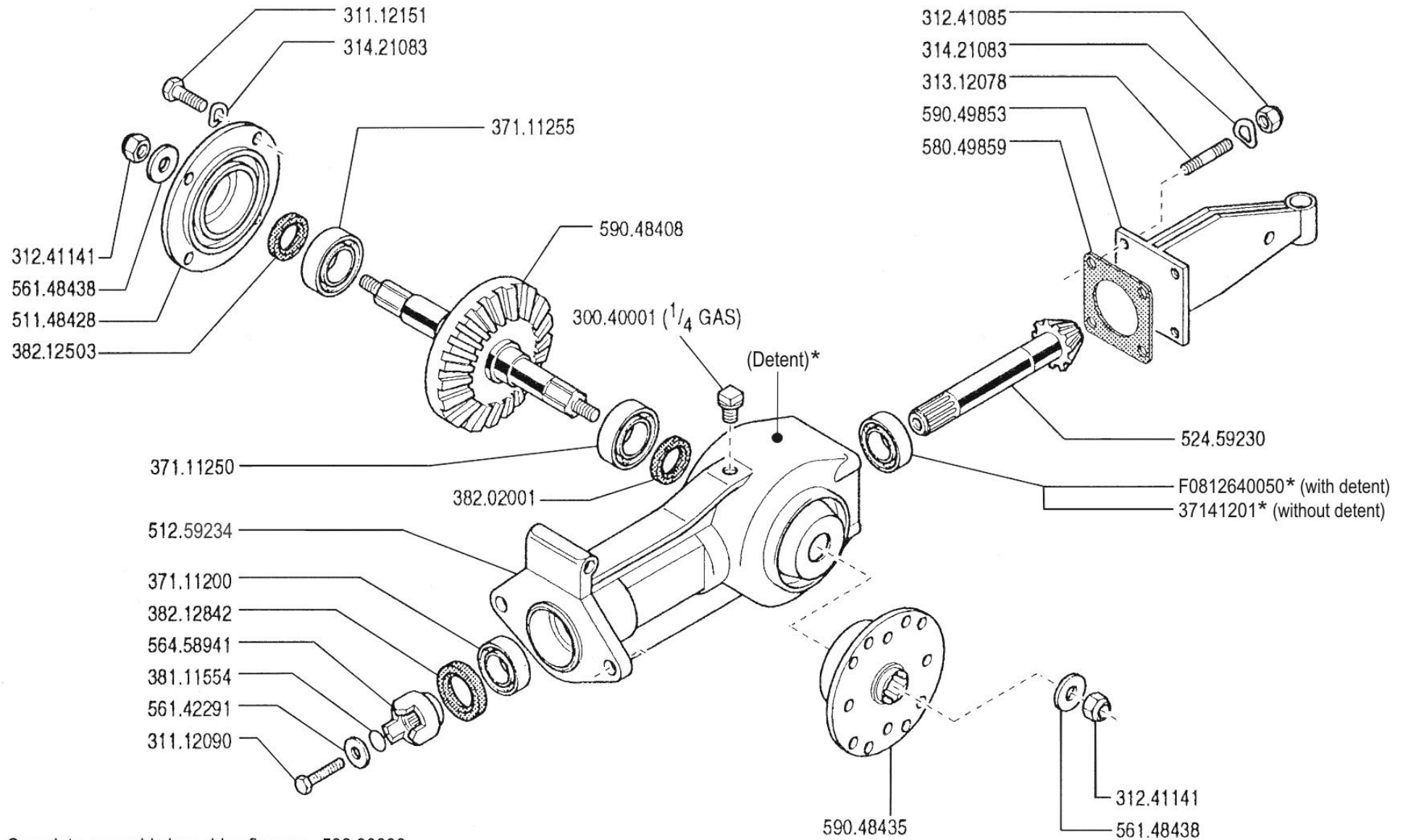
CAMON C10 ROTAVATOR



CAMON C10 ROTAVATOR



CAMON C10 ROTAVATOR



Complete assembly less drive flanges - 592.90898