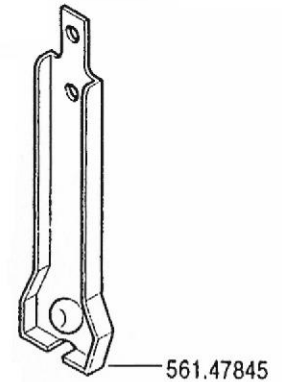
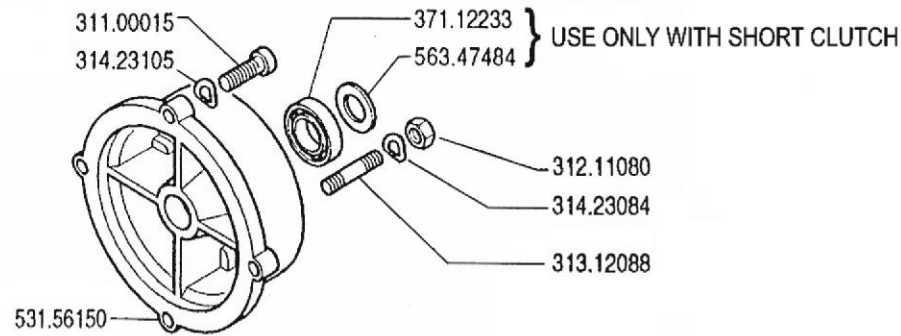


C8 ROTAVATOR

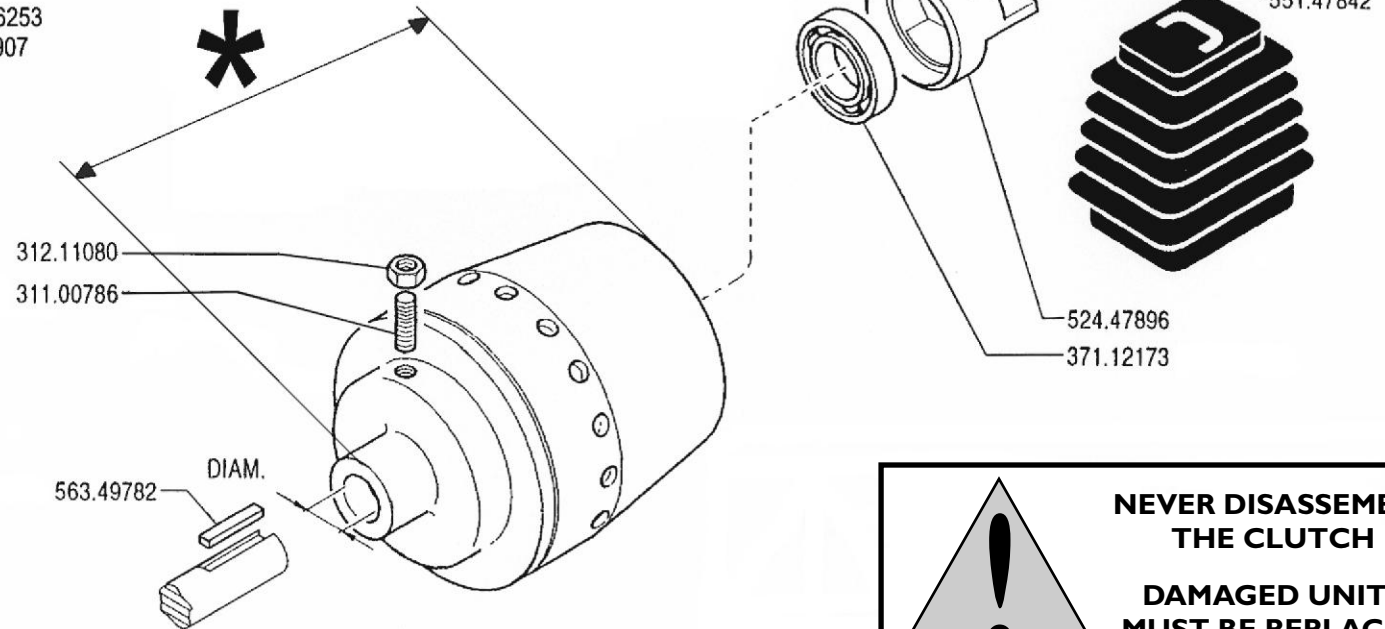
PARTS DIAGRAMS



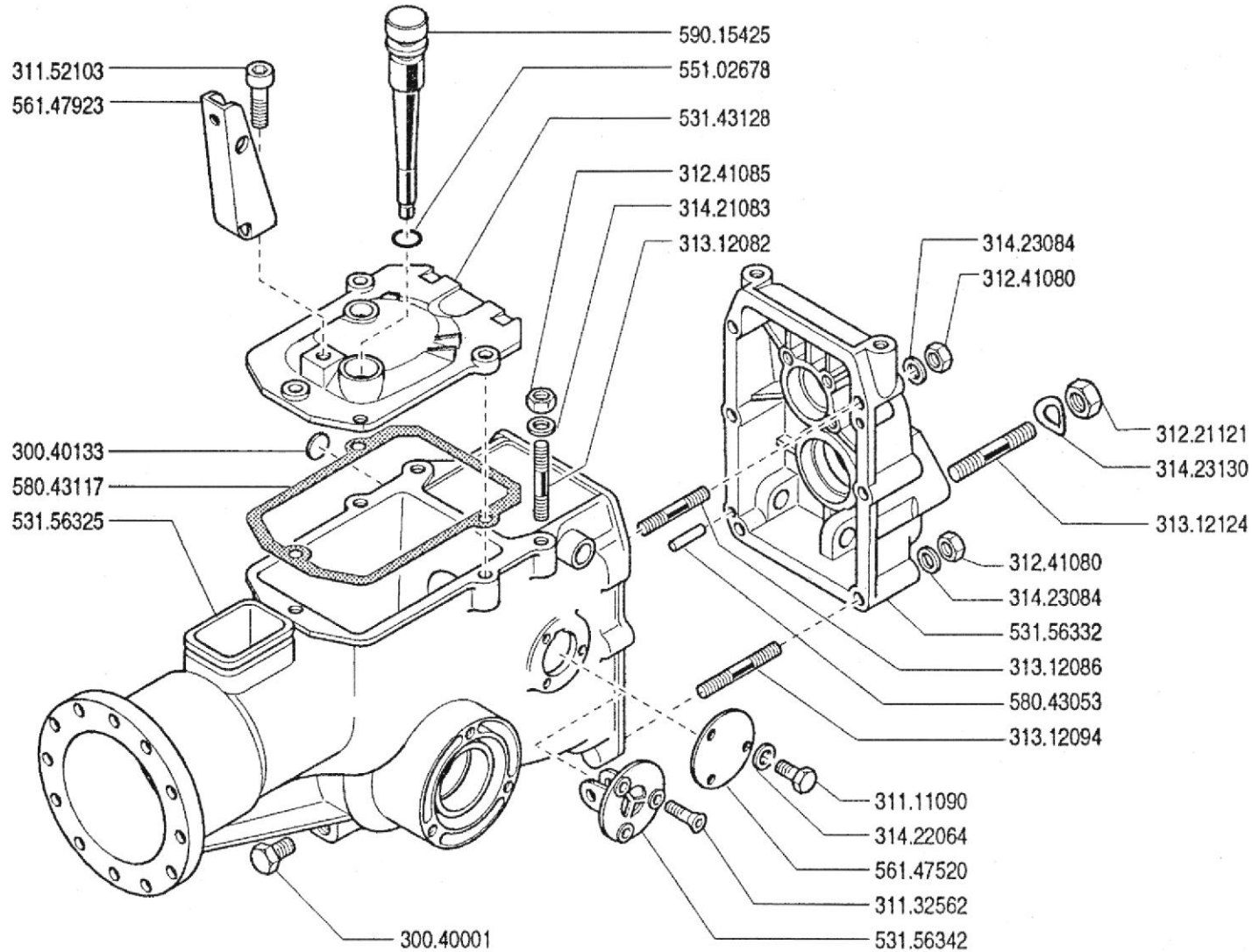
CAMON C8 ROTAVATOR



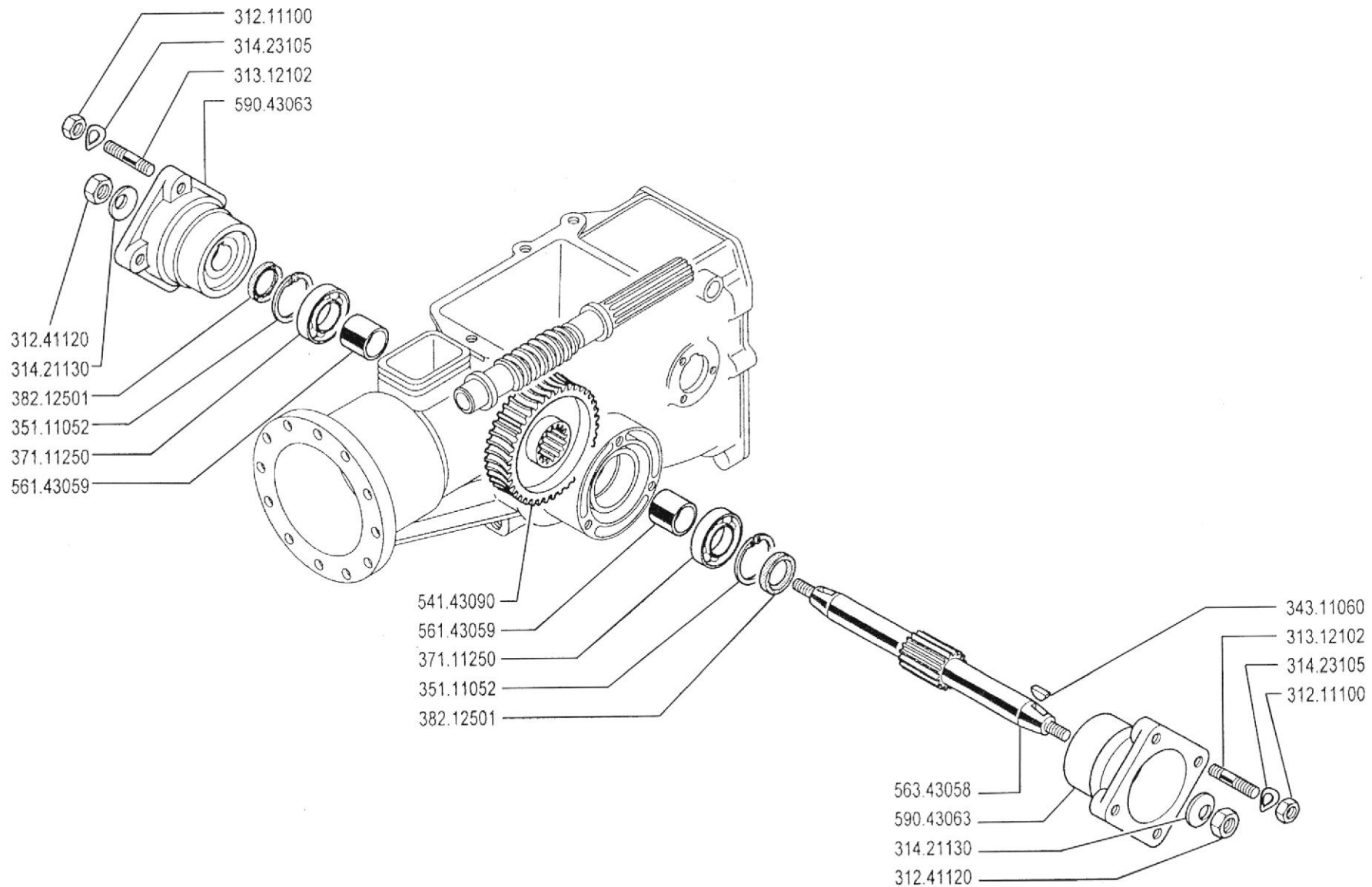
- * GX240 - SHORT CLUTCH (110mm) - 592.56253
- * GX240 - LONG CLUTCH (127mm) - 592.47907



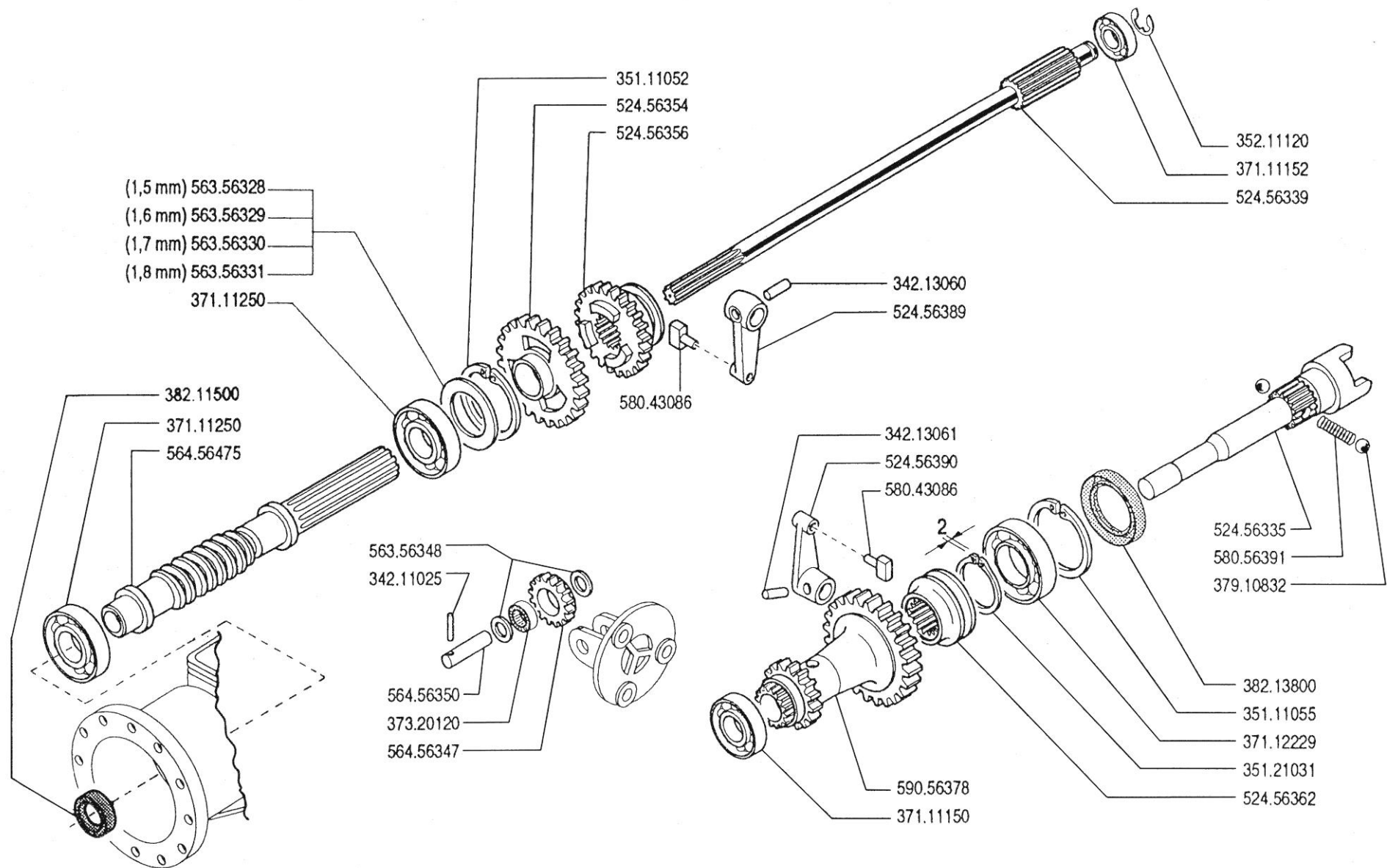
CAMON C8 ROTAVATOR



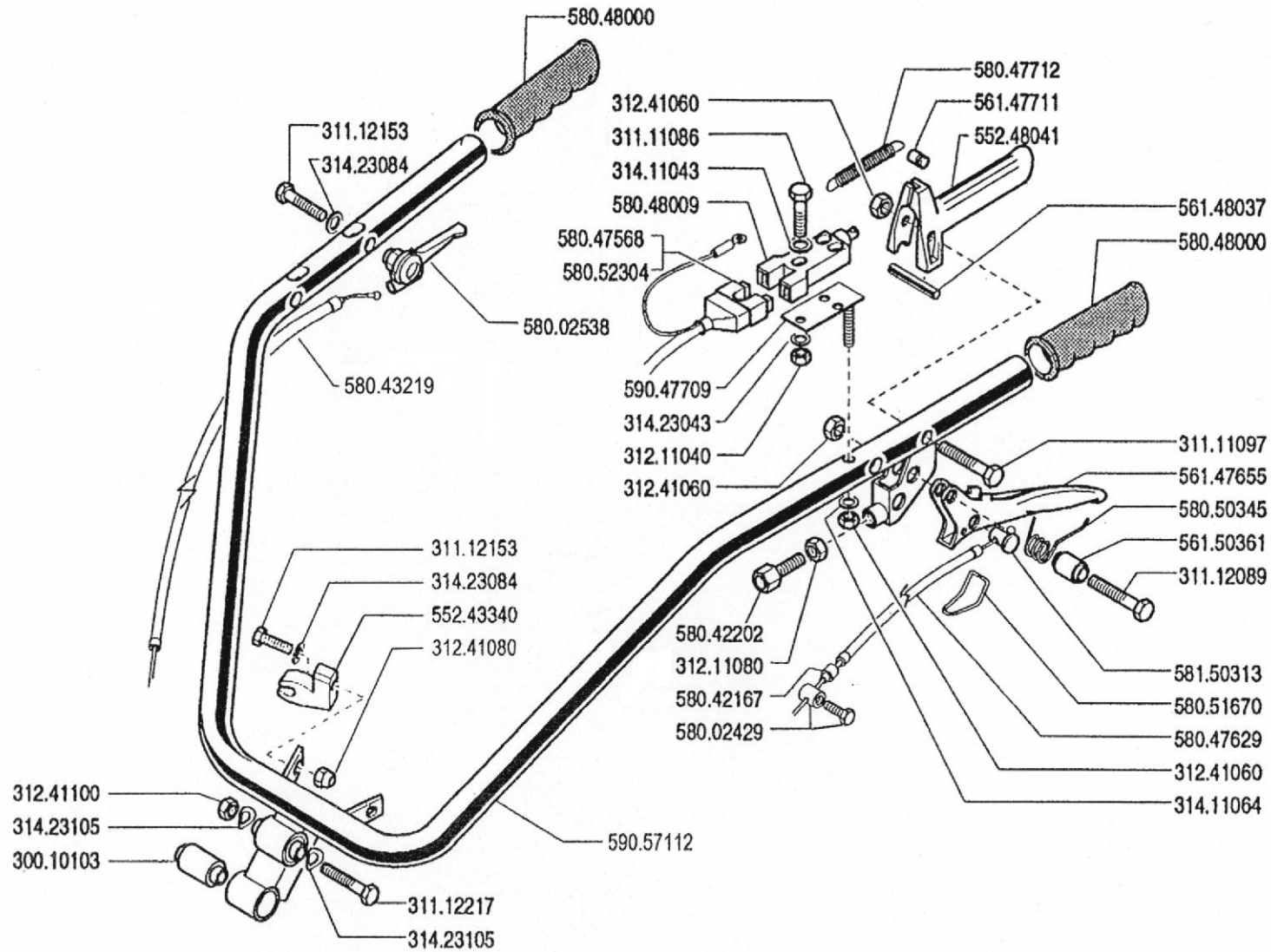
CAMON C8 ROTAVATOR



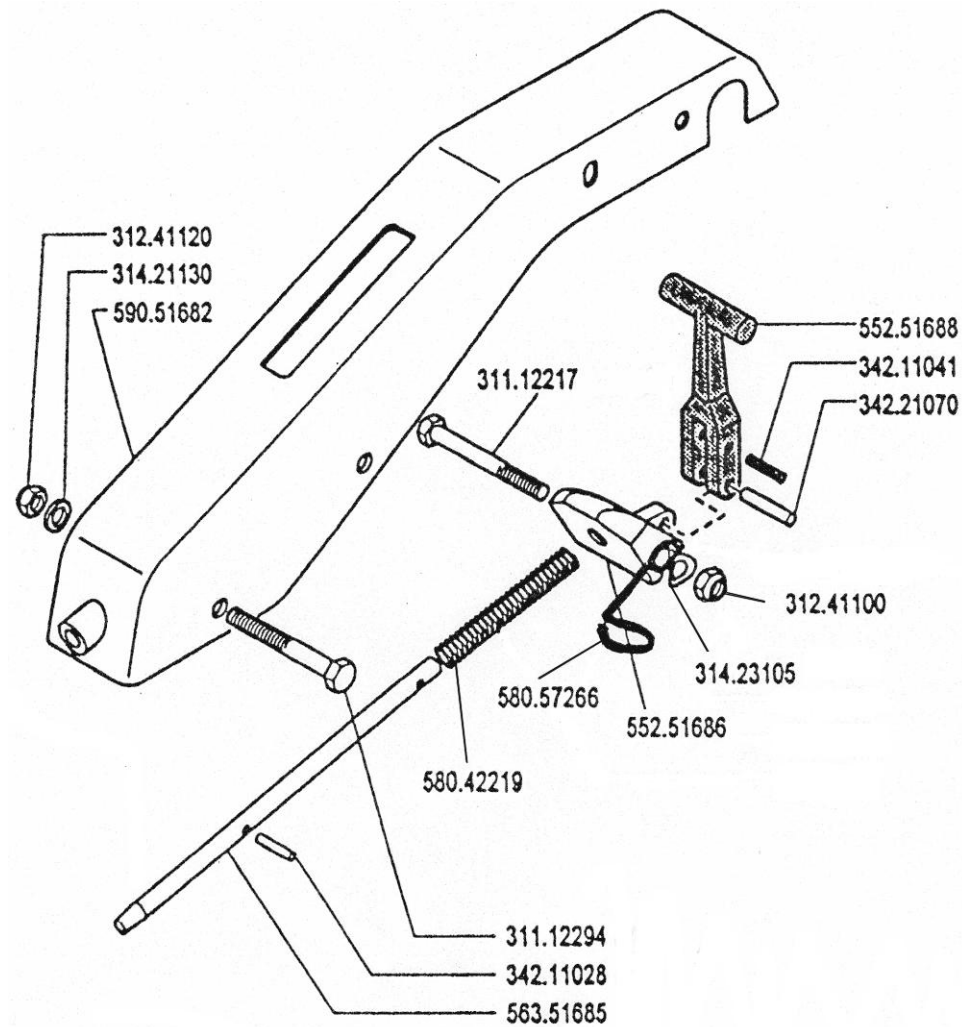
CAMON C8 ROTAVATOR



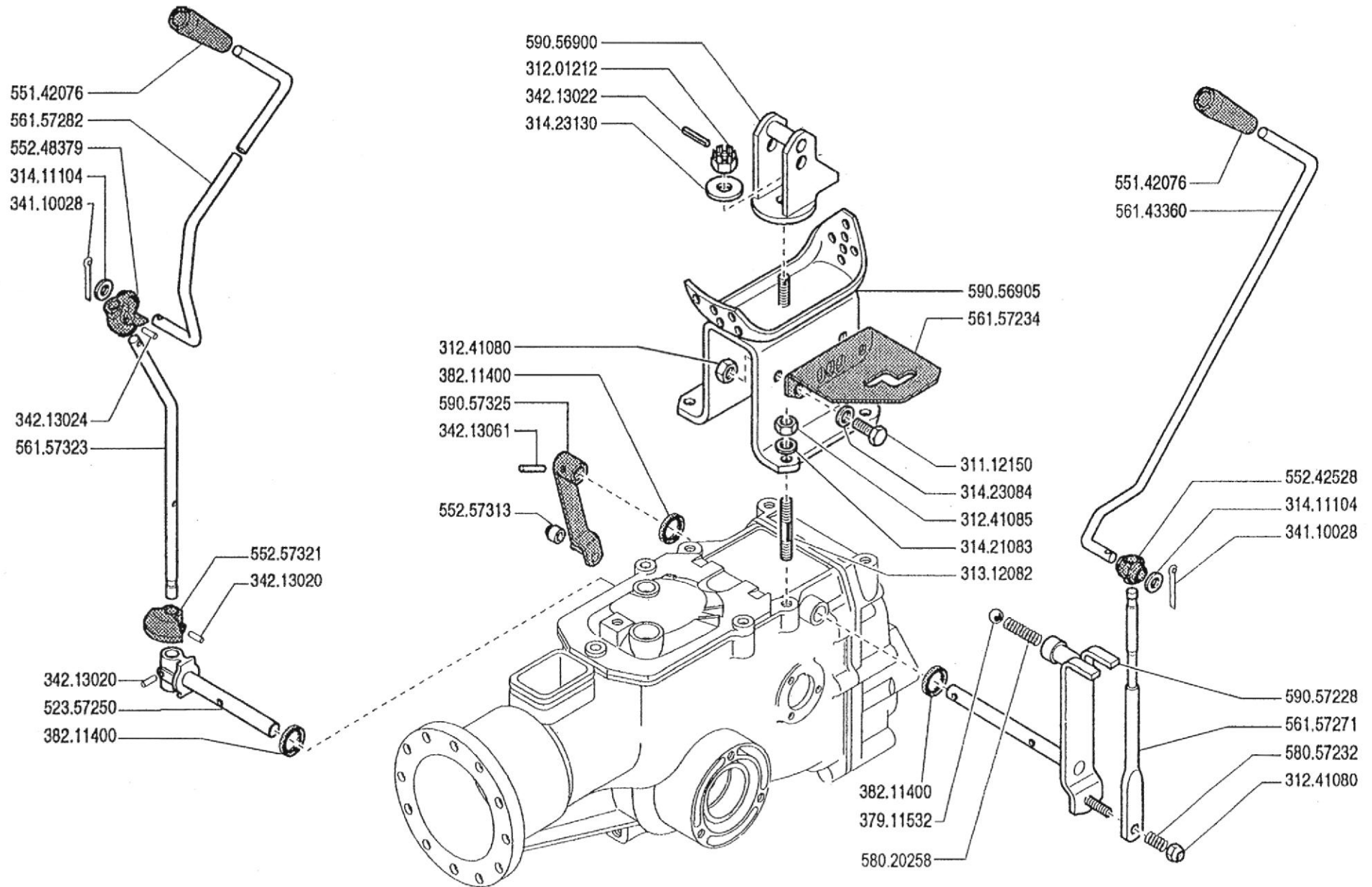
CAMON C8 ROTAVATOR



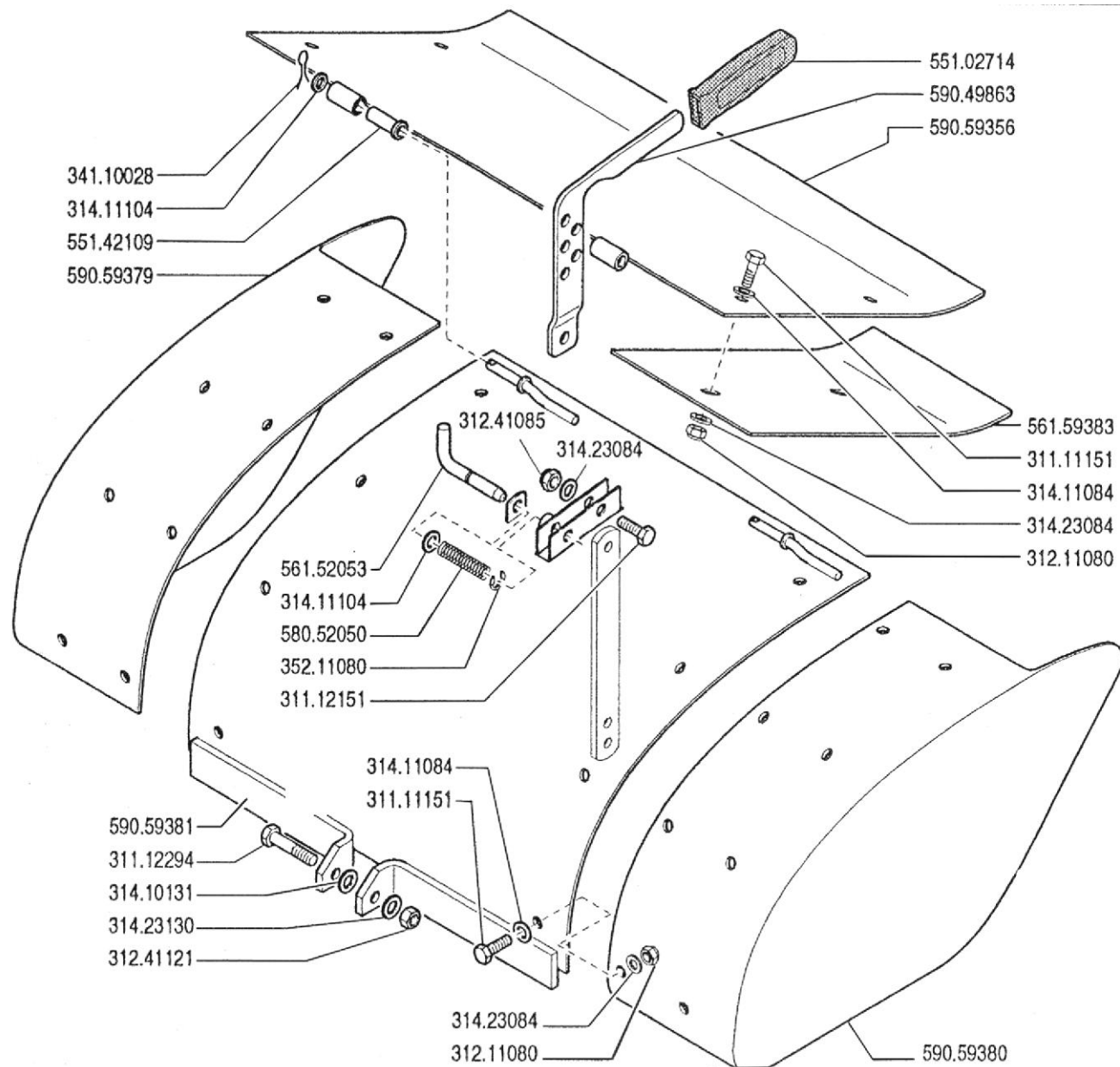
CAMON C8 ROTAVATOR



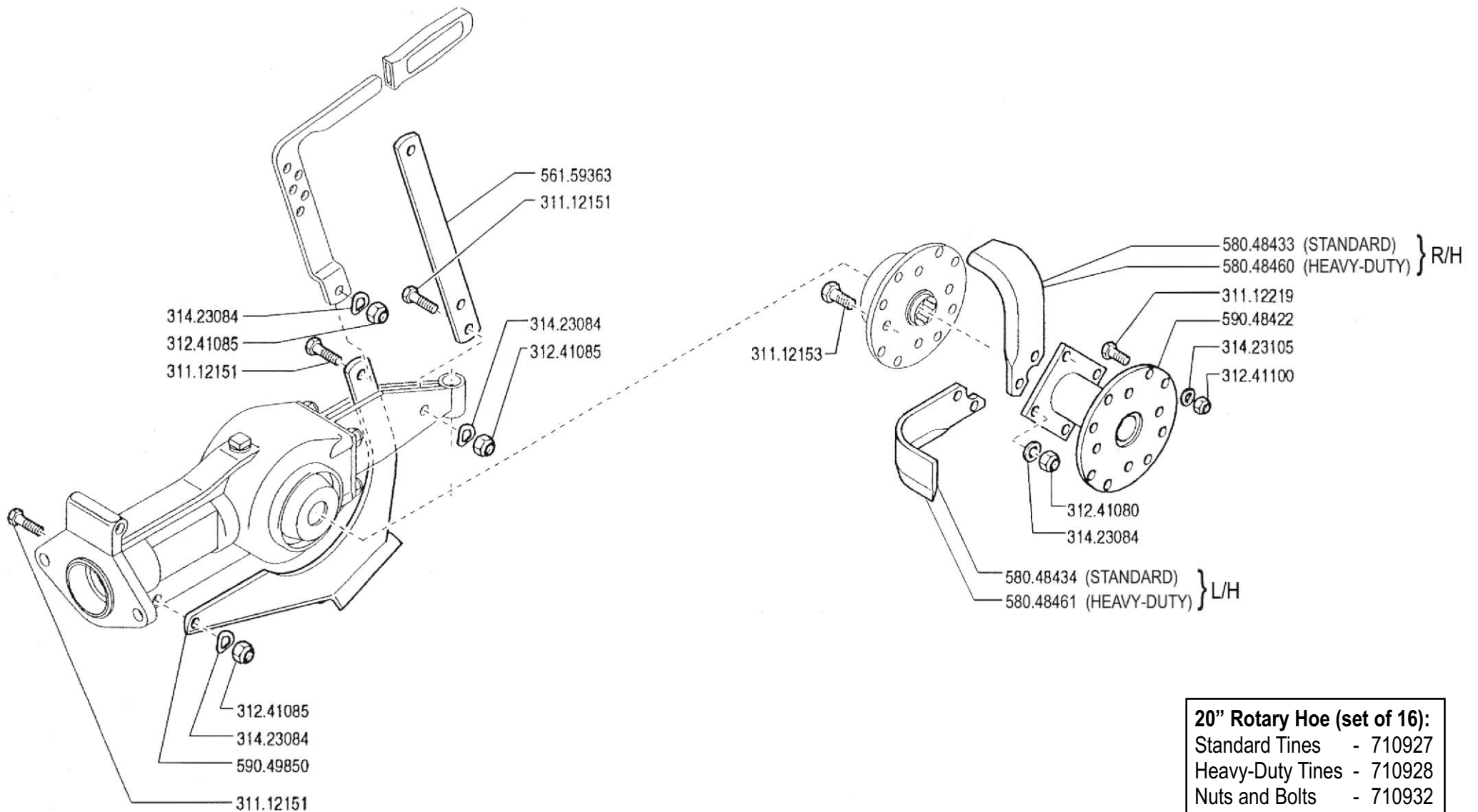
CAMON C8 ROTAVATOR



CAMON C8 ROTAVATOR

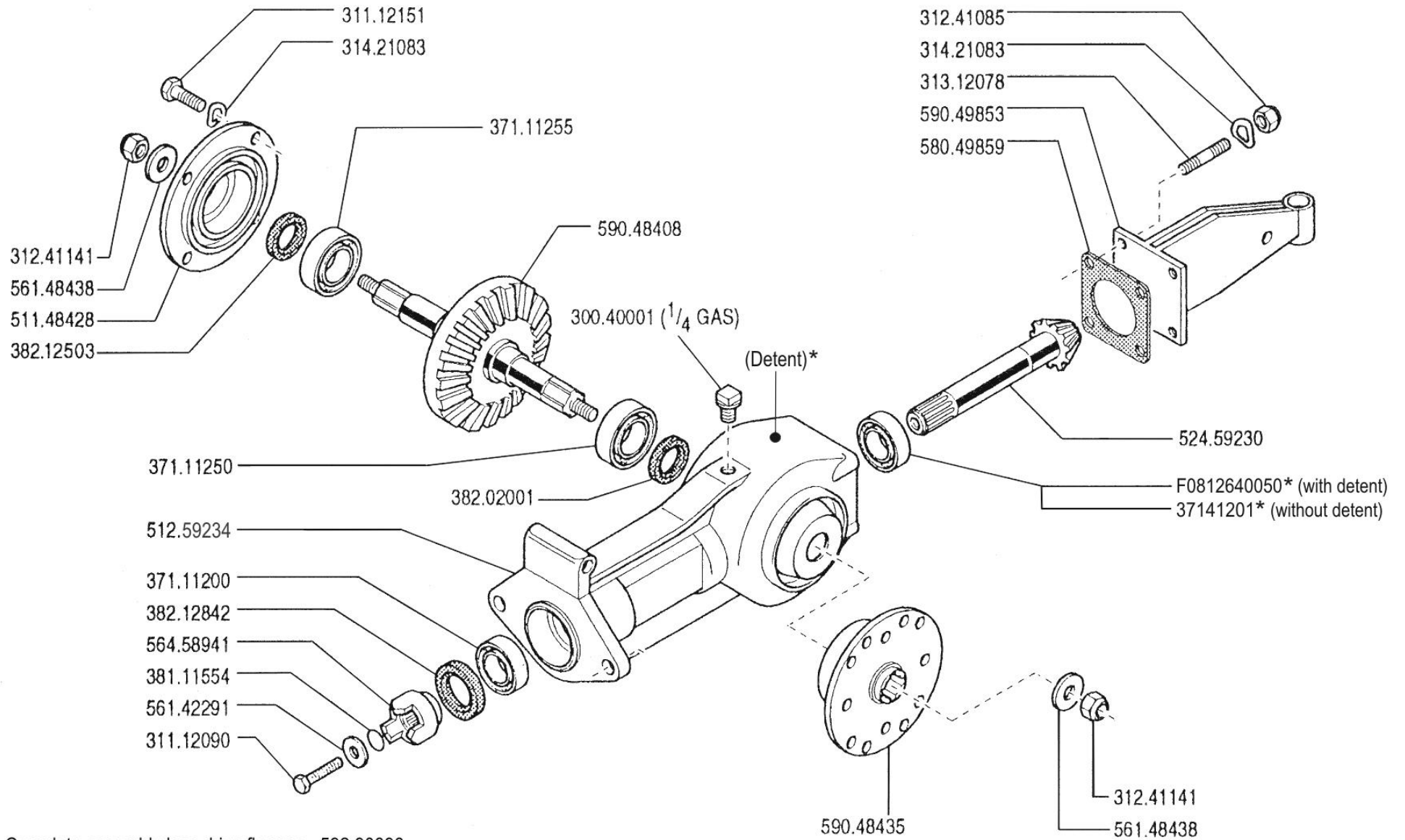


CAMON C8 ROTAVATOR



20" Rotary Hoe (set of 16):	
Standard Tines	- 710927
Heavy-Duty Tines	- 710928
Nuts and Bolts	- 710932

CAMON C8 ROTAVATOR



Complete assembly less drive flanges - 592.90898